

- **PID controller with multiple control strategies**
  - single loop, heat/cool, motorized valve, auto/manual, analog backup or indicator
  
- **Three large LED displays with deviation bargraph**
  - clear and easy to follow display with color-coordinated function keys
  
- **Comprehensive input/output capabilities**
  - three analog inputs, two analog outputs, up to four relays and four digital inputs plus RS485 Modbus for total flexibility
  
- **Process security and plant safety**
  - loop break alarm, processor watchdog, password protection and intelligent power recovery
  
- **PC configuration for ease of setup**
  - access to advanced feature and standard settings to reduce configuration time
  
- **Advanced cost-saving functions**
  - math blocks, logic equations, real-time alarms, custom linearizers and soft wiring
  
- **Unique Control Efficiency Monitor (CEM)**
  - two autotune algorithms plus manual fine-tune using CEM for optimum performance
  
- **IP66/NEMA4X front face protection**
  - reliability in the harshest environments



**C351 – short case  
1/4 DIN controller with functionality  
and power as standard**

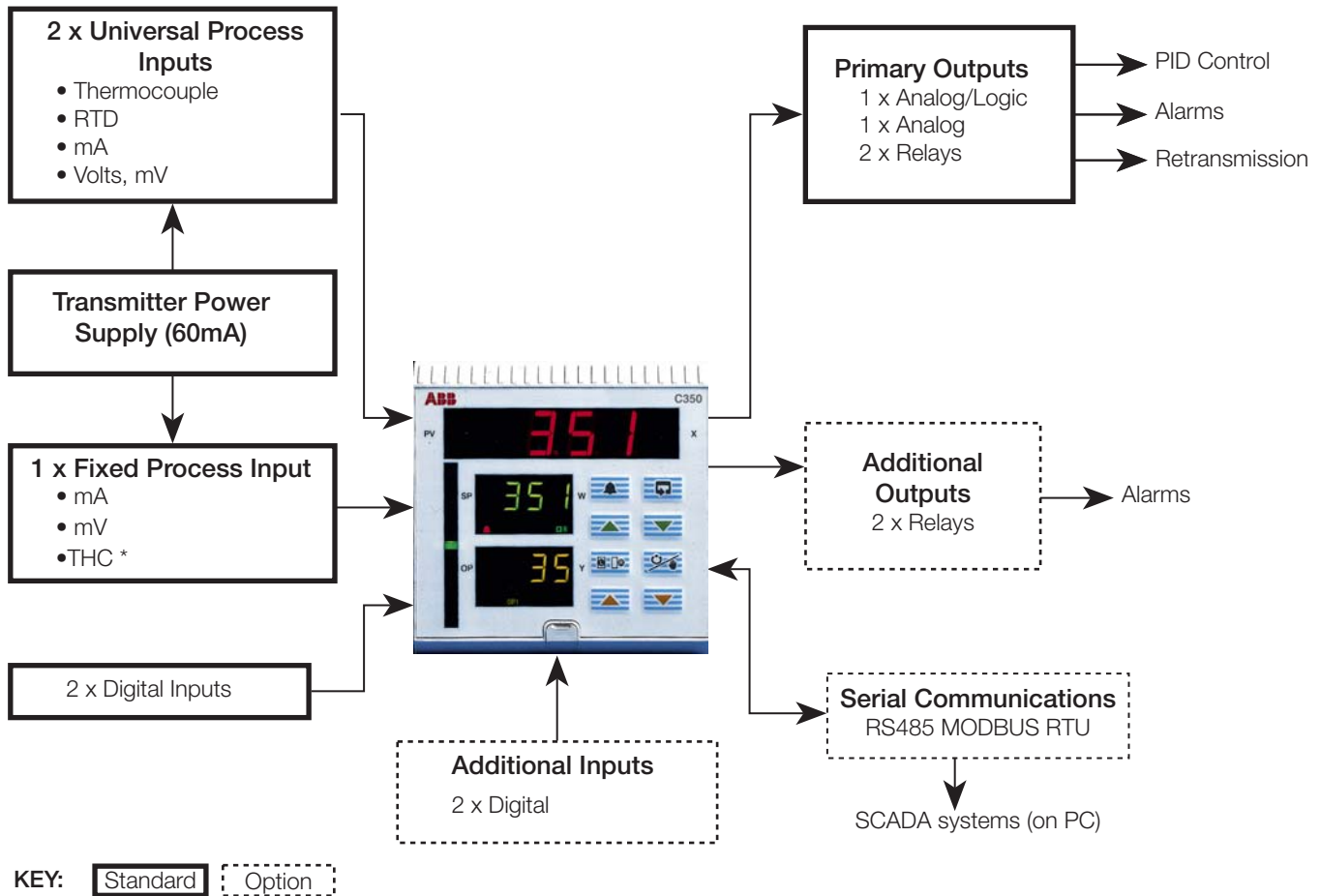
**C351**

The C351 Universal Process controller is a versatile, single loop controller, with multiple control features built-in as standard, e.g. gain scheduling, heat/cool, alarm logic, maths and linearizers.

With the ability to configure for different applications, using the inbuilt library of application templates, plus the advanced autotune facility, the C351 is ready to run in minutes. Configurations can also be edited and stored off-line using our Windows-based PC Configurator software.

Analog, relay and logic control outputs are fitted as standard; plus three analog inputs, with a built-in 2-wire transmitter power supply. With the option to add extra input/outputs, for more complex applications, and Modbus serial communications for integration with factory automation systems.

IP66 (NEMA4X) front panel protection makes the C351 an extremely robust controller, suitable for use in a wide variety of industrial environments.



\* Only if standard universal input is THC

### Protecting Your Process

To keep your process stable and secure, the C351 has intelligent diagnostics and responses which can be used for process safety to initiate an action or to indicate a fault. A processor watchdog monitors the processor continuously; a unique loop-break alarm detects analog output failure; and there is an open circuit detector on the input. Using these signals, safety shutdown strategies can be initiated.

Advanced control features, including ramping set point, process start-up and output slew-rate, are all designed to provide you with a flexible controller that has built-in process protection as standard.

For configuration data security, there are three levels of password protection plus front panel function key lockouts, ensuring total process security.

### Process Visibility and Operation

Three high-visibility, colored, digital displays Indicate Process Variable, Set Point and Controller output simultaneously.

A 21-segment deviation bargraph shows at-a-glance how close the controller is to the set point. For clarity, function keys are color coded to match their corresponding displays.

Eight individual tactile front panel keys make the controller very operator-friendly, with one-touch access to local/remote set point adjustment, alarm acknowledgment, auto/manual and output adjustment.

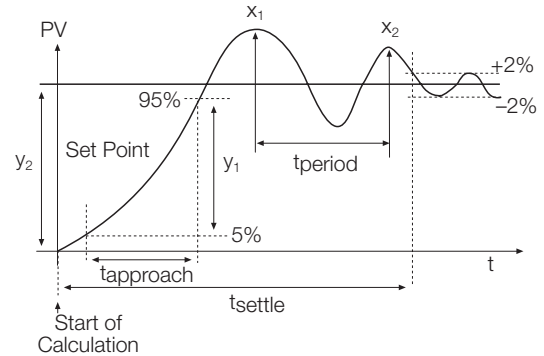
'Secret-til-lit' LED indicators display controller modes and alarm status, and provide extensive controller and plant diagnostics.

### Maths and Soft-Wiring

Four individual math blocks, each having up to seven operators and operands, provide functions such as average, maximum and minimum calculations. Square root, relative humidity and arithmetic functions are also included as standard. Inputs can be selected or switched in and out of calculations by digital signals. This allows both simple and advanced calculations to be processed and these can be soft-wired to control functions.

### Control Efficiency Monitor (CEM)

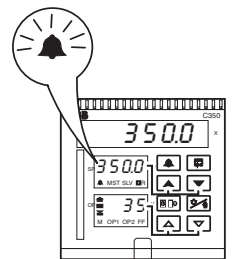
CEM measurements are designed to help you fine-tune your process manually. Six key-performance parameters are measured and displayed, allowing you to vary your PID settings to match the process needs and measure the results of your investment.



### Process Alarms

The C351 has eight internal process alarms. These can be soft-wired to control strategies, logic equations and output relays.

Each alarm can have a separate hysteresis value, programmable in engineering units or time. Alarms can also be enabled or disabled via digital inputs and can be configured as annunciators, so the alarm may be disabled once acknowledged.



### Configuration and Start Up Made Easy

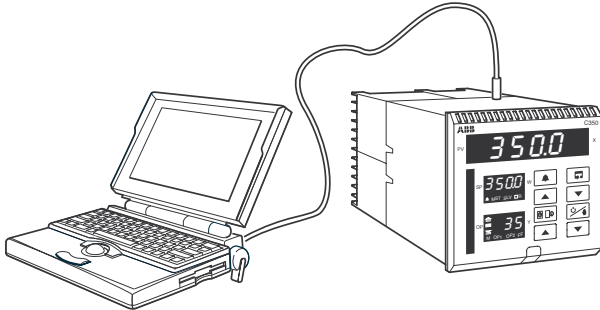
The C351 has been designed to minimize your configuration and commissioning time, as you need only enter values that relate to your process. Application templates, offering preconfigured customized control strategies, allow rapid setup of the controller. Templates are selected via the PC Configurator or the front panel keys. Alternatively the unit may be supplied preconfigured. Once a template is selected only three key settings are required and the controller is ready-to-run.

Complete configurations can be created, edited and stored off-line, using the PC Configurator. A dedicated cable connects the PC to a jack socket on the top of the controller for rapid upload, or download, of configurations. Copies of the configurations can be saved and produced as hard copy.

A dual mode, intelligent autotune requires no prior knowledge of PID settings and offers a choice of either fast response or minimum overshoot strategies.

### Custom Linearizer

The C351 has two separate 15-breakpoint linearizers which can be programmed via the PC Configurator and applied to either inputs or outputs. These can be used for nonstandard thermocouples, nonlinear tank levels or any nonlinear input. The output linearizer accommodates any nonlinear control elements.



### Customized Application Templates

Templates are provided to make the basic configuration for a particular application as simple as possible. When a template is selected the C351 assumes the preset form for that template (see below). The inputs and software blocks are soft-wired automatically to perform the selected function.

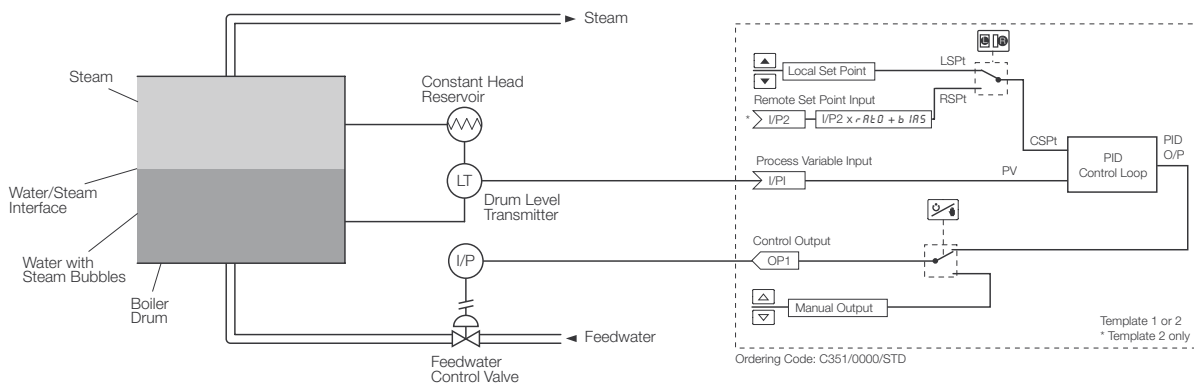
Configuration time is greatly reduced as 90% of the choices you would normally need to make in similar products are already preconfigured.

The C351 offers the following templates:

- 1 Single loop controller with local set point
- 2 Single loop controller with remote set point
- 3 Auto manual station (low signal detection)
- 4 Auto manual station (digital signal selection)
- 5 Analog backup station (low signal detection)
- 6 Analog backup station (digital signal selection)
- 7 Single indicator/manual loader station
- 8 Dual indicator/manual loader station

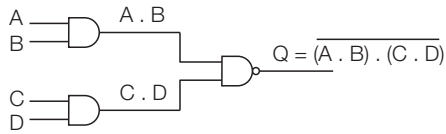
### Single Loop Control Template – Example

A single element drum level is used in industrial boiler applications where steam demand changes slowly and/or constant BTU content fuel-fired boilers.



### Sequencing and Logic Control

The C351 offers comprehensive sequencing, to complement its advanced analog control features, six logic equations, with up to fifteen elements per equation. These logic equations, when combined with delay timers, real-time alarms and extensive I/O, make the C351 a powerful interlocking controller.



### Intelligent Adjustable Power Recovery

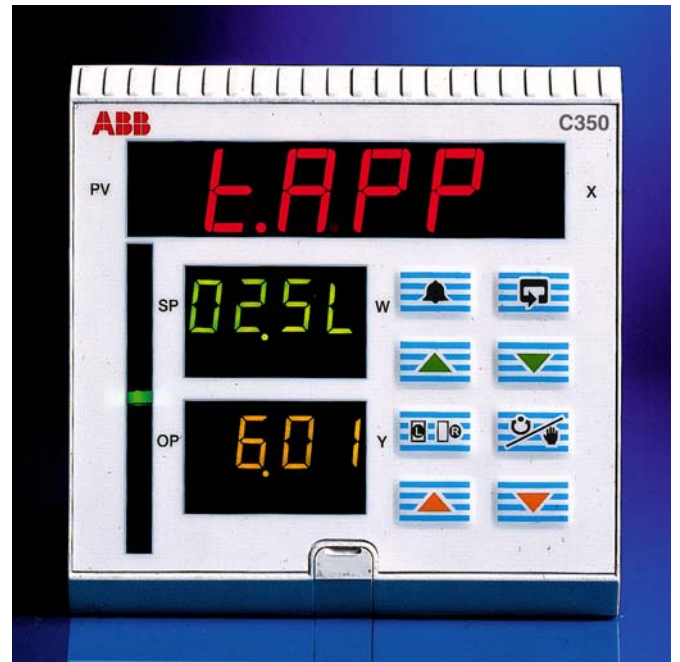
Two forms of plant power failure recovery are available programmable between 0 and 9999s for recovery time:

'HOT' Restart – if the power is restored within the recovery time the C351 defaults to Auto mode, allowing the process to be up-and-running without delay.

'COLD' Restart – if the power is not restored within the preset recovery time, the controller defaults to Manual mode, or a predetermined control output level. This ensures that after power failure the controller does not start to control the process without operator acknowledgment.

### Industrial Robust Design

The front face has been designed to meet IP66/NEMA4X rating with a unique moulded case and panel seal. A chemical resistant polyester front panel ensures a secure investment for any environment.



## Specification

### Summary

- 8 application templates: Single loop, Auto/Manual, Analog backup, Indicator
- Two Autotune options
- Control Efficiency Monitor (CEM)
- PC configuration
- IP66/NEMA4X front face

### Operation

#### Display

- 1 x 4-digit, 14 mm (Red) LED – process variable
- 1 x 4-digit 8 mm (Green) LED – set point
- 1 x 3-digit, 8 mm (Yellow) LED – output
- 1 x 21-segment deviation bargraph

#### Configuration

- Basic configuration via front panel keys or PC
- Advanced feature configuration by PC

#### Security

- Password-protected menus

### Standard Functions

#### Control Strategies

Single-loop, Auto/manual Station, Analog Backup, Indicator/Manual Loader

#### Output Types

Current proportioning, Time proportioning, On/off, Motorized valve (with and without feedback), Heat/cool.

#### Control Parameters

Four sets of PI settings, selectable via digital signals

#### Set Points

Local, remote and four local fixed set points, selectable via digital signals

#### Configured Outputs

Three preset output values, selectable via digital signals

#### Autotune

On demand for 1/4 wave or minimal overshoot

#### Process Alarms

Number 8  
Types High/low process,  
High/low output,  
High/low deviation

Hysteresis Level and time \*

Alarm enable/disable Enable/disable of alarms via digital signal

#### Real Time Alarms \*

Number 2  
Programmable On time/day and duration

\* Accessed via PC Configurator

## Analog Inputs

### Universal Process Inputs

**Number**

2 standard

**Type**

Universally configurable to provide:

- Thermocouple (THC)
- Resistance thermometer (RTD)
- mV
- Volts
- mA
- Resistance

### Non-universal Process Input

**Number**

1 standard

**Types**

- mV only (THC only if I/P1 is also THC)
- mA

## Analog Inputs – Common

### Linearizer Functions

THC types B, E, J, K, L, N, R, S, T, PT100,  $\sqrt{\quad}$ ,  $\sqrt[3]{\quad}$ ,  $5/2$

### Input Impedance

mA 100Ω

mV, V 10MΩ

### Broken Sensor Protection

Programmable for upscale or downscale drive

### Sample Interval

125ms (1 input)

### Digital filter

Programmable

### Cold Junction Compensation

Automatic CJC incorporated as standard

Stability 0.05°C/°C (0.05°F/°F) change in ambient temperature

### Input Protection

Common mode rejection >120dB at 50/60Hz with 300Ω imbalance resistance

Series mode rejection > 60dB at 50/60Hz

### Transmitter Power Supply

Voltage: 24V DC nominal

Drive: Up to 60mA, (3 loops)

## Standard Analog Input Ranges

Thermocouple	Maximum Range °C	Maximum Range °F	Accuracy (% of reading)
B	-18 to 1800	0 to 3270	0.1% or ±1°C (1.8°F) [above 200°C (392°F)] *
E	-100 to 900	-140 to 1650	0.1% or ±0.5°C (0.9°F)
J	-100 to 900	-140 to 1650	0.1% or ±0.5°C (0.9°F)
K	-100 to 1300	-140 to 2350	0.1% or ±0.5°C (0.9°F)
L	-100 to 900	-140 to 1650	0.1% or ±1.5°C (2.7°F)
N	-200 to 1300	-325 to 2350	0.1% or ±0.5°C (0.9°F)
R	-18 to 1700	0 to 3000	0.1% or ±0.5°C (0.9°F) [above 300°C (540°F)] *
S	-18 to 1700	0 to 3000	0.1% or ±0.5°C (0.9°F) [above 200°C(392°F)] *
T	-250 to 300	-400 to 550	0.1% or ±0.5°C (0.9°F)

\* Performance accuracy is not guaranteed below 300°C (572°F) for B, R and S thermocouples

Min. span below zero Type T 70°C (126°F) Type N 105°C (189°F) THC standards DIN 43710 IEC 584

RTD	Maximum Range °C	Maximum Range °F	Accuracy (% of reading)**
PT100	-200 to 600	-325 to 1100	0.1% or ±0.5°C (0.9°F)

\*\* RTD, 3-wire platinum, 100Ω per DIN43760 standard (IEC751), with range of 0 to 400Ωs

Linear Inputs	Range	Accuracy (% of reading)
Millivolts	0 to 500 mV	0.1% or ±10μA
Milliamps	0 to 50 mA	0.2% or ±2μA
Volts	0 to 5V	0.2% or ±2mV
Resistance	0 to 5000Ω	0.2% or ±0.08Ω

## ...Specification

### Outputs

#### Control/Retransmission Outputs

Number	2 standard
Type	1 x programmable as analog or logic (digital) output 1 x analog only
Isolation	Galvanically isolated from the rest of the circuitry
Analog range	0 and 20mA (programmable), max. 750Ω accuracy: 0.25%
Digital voltage	17V @ 20mA

#### Relay Outputs

Number	2 standard,
Type	SPCO, rated 5A at 115/230V AC

### Digital Inputs

Number	2 standard,
Type	Volt-free
Minimum pulse	200ms

### Advanced Features

#### Maths Blocks \*

Number	4
Operators	+, -, x, ÷, Average, Maximum, Minimum, High select, Low select, √, Median select, Relative Humidity Input multiplexer (digitally selected)

#### Delay Timers \*

Number	2
Programmable	Delay and Duration in seconds

#### Logic Equations \*

Number	6
Elements	15 per equation
Operators	OR, AND, NOR, NAND, NOT, EXOR

#### Custom Linearizers \*

Number	2
Breakpoints	15 per linearizer

\* Accessed via PC Configurator

### Options

#### Relay Outputs

Number	2
Type	SPST, rated 5A at 115/230V AC

#### Digital Inputs

Number	2
Type	Volt-free
Minimum pulse	200ms

#### Serial Communications

Connections	RS485, 2- or 4-wire
Protocol	Modbus RTU
Isolation the	Galvanically isolated from the rest of the circuitry

### EMC

#### Emissions and Immunity

Meets requirements of IEC 61326 for an Industrial Environment

#### Design & manufacturing standards

CSA/UL General Safety (cCSAus mark)	
Satisfies the requirements of –	
CAN/CSA C22.2 No. 1010.1-1-92 Standard	
CAN/CSA C22.2 No. 1010.1-B97	
UL Standard 3121-1	
FM General Safety	Pending

## Physical

### Size

96 x 96 x 122.5mm (3.78 in. x 3.78 in. x 4.82 in.)

### Weight

680g (1.5lb)

---

## Electrical

### Voltage

85 min. to 265 V max. AC 50/60Hz

24V DC

### Power consumption

15VA max.

### Power interruption protection

Up to 60ms

### Safety

General safety EN 61010-1

### Isolation

All inputs/outputs to earth: 500V DC

Analog/digital output 1  
to rest of the circuitry: 500V DC for 1 minute

Analog output 2 to  
rest of the circuitry: 500V DC for 1 minute

Serial communications  
to rest of the circuitry: 500V DC for 1 minute

## Environmental

### Operating Limits

0°C to 55°C (32°F to 130°F)

5 to 95%RH (non-condensing)

### Temperature stability

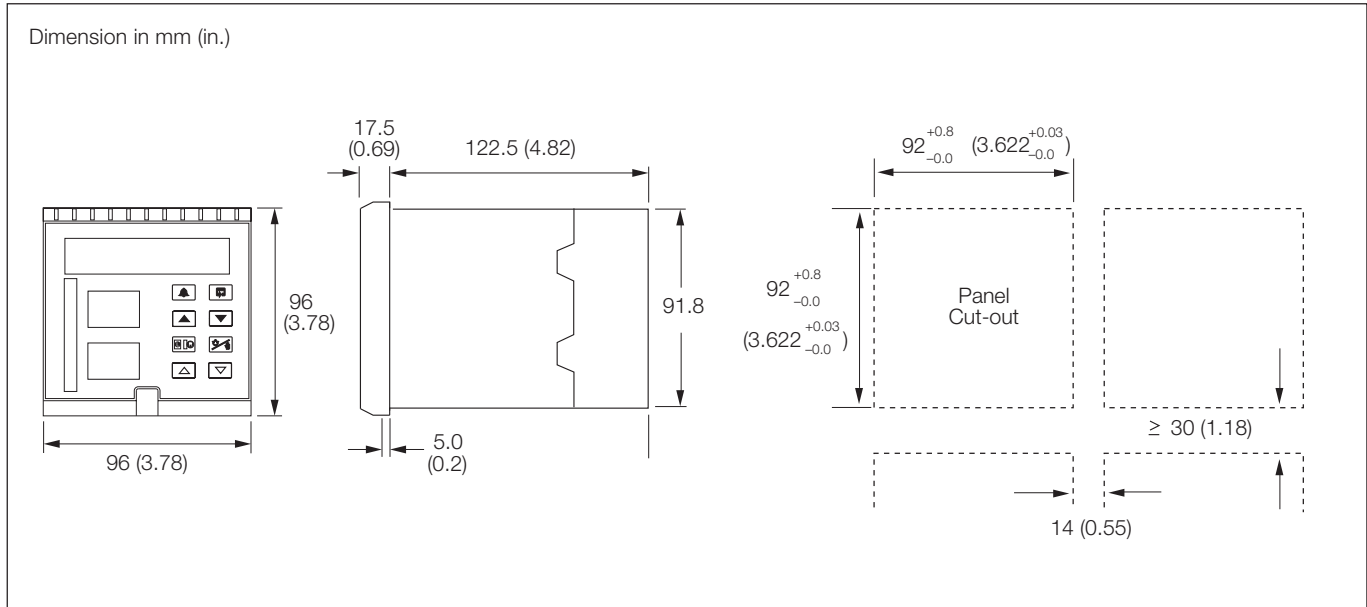
<0.02%/°C or 2μV/°C (<0.011%/°F or 1.11μV/°F)

Long term drift <0.02% of reading or 20μV annually

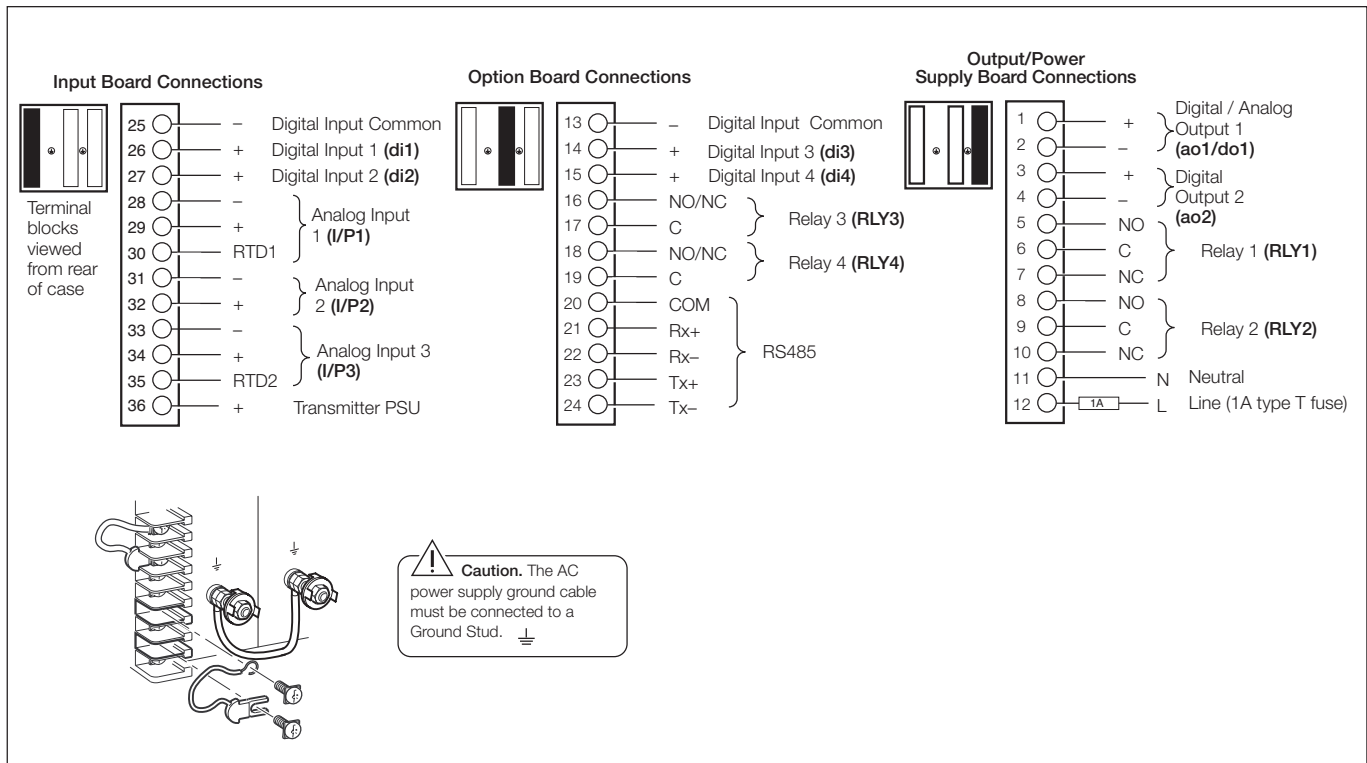
### Front face

NEMA4X (IP66)

## Overall Dimensions



## Electrical Connections



### Ordering Guide

<b>C351 1/4 DIN Process Controller</b>	<b>C351 /</b>	<b>X X</b>	<b>X</b>	<b>X /</b>	<b>X X X X</b>
<b>Option Board</b>					
None		0 0			
Two digital inputs + Two relays		0 1			
Two digital Inputs + Two relays + RS485 Modbus		0 2			
<b>Power Supply</b>					
85 V min. to 265 V max. AC			0		
24 V DC			1		
<b>Build</b>					
ABB Standard				0	
CSA approval				1	
UL approval				2	
<b>Programming/Special Features</b>					
Configured to factory standard					S T D
Configured to customer requirements					C U S
Special features					S P X X

### Accessories

PC Configurator Kit (part no.C100/0700)

### Licensing, Trademarks and Copyrights

Modbus™ is a trademark of Modicon, Inc.

Windows™ is a trademark of the Microsoft Corp.

---

**ABB** has Sales & Customer Support expertise in over 100 countries worldwide

[www.abb.com](http://www.abb.com)

The Company's policy is one of continuous product improvement and the right is reserved to modify the information contained herein without notice.

Printed in UK (07.07)

© ABB 2007



**ABB Limited**

Howard Road, St Neots  
Cambridgeshire  
PE19 8EU  
UK  
Tel: +44 (0)1480 475321  
Fax: +44 (0)1480 217948

**ABB Inc.**

125 E. County Line Road  
Warminster  
PA 18974  
USA  
Tel: +1 215 674 6000  
Fax: +1 215 674 7183