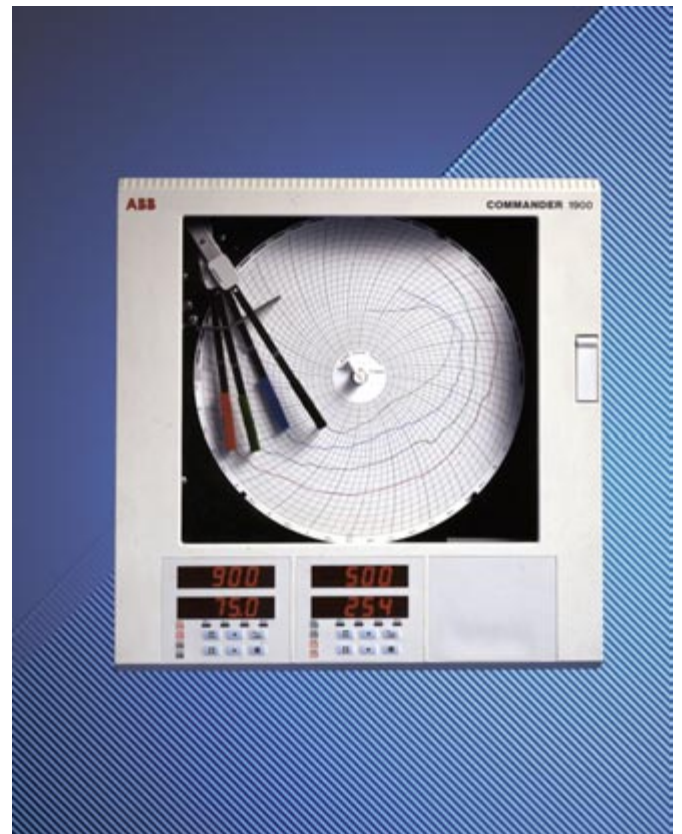


- **1 to 4 pens**
 - full application flexibility
- **NEMA 4X/IP66 construction**
 - hose-down protection
- **Analog, relay outputs, digital inputs and transmitter power supply as standard**
 - range of inputs and outputs built-in
- **Multiple 6-digit indicator panels**
 - continuous display of all signal values
- **0.1% measurement accuracy**
 - precise process information
- **High noise immunity**
 - robust, dependable operation
- **RS485 Modbus serial communications**
 - open systems compatibility
- **Totalizers and math functions built-in**
 - fully integrated solutions



C1900 – a rugged, reliable recorder with the full capability to meet your needs

C1900

The C1900 is a fully programmable circular chart recorder for up to four process signals. The C1900's straightforward operator controls and robust construction make it suitable for a variety of industrial environments. Excellent standard facilities are complemented by a powerful range of options to give the flexibility to match your application.

Comprehensive Process Information

The C1900 lets you see the status of your process at a glance: high visibility 6-digit displays provide a clear indication of up to four process values simultaneously and active alarms are signalled by flashing LEDs below the main display.

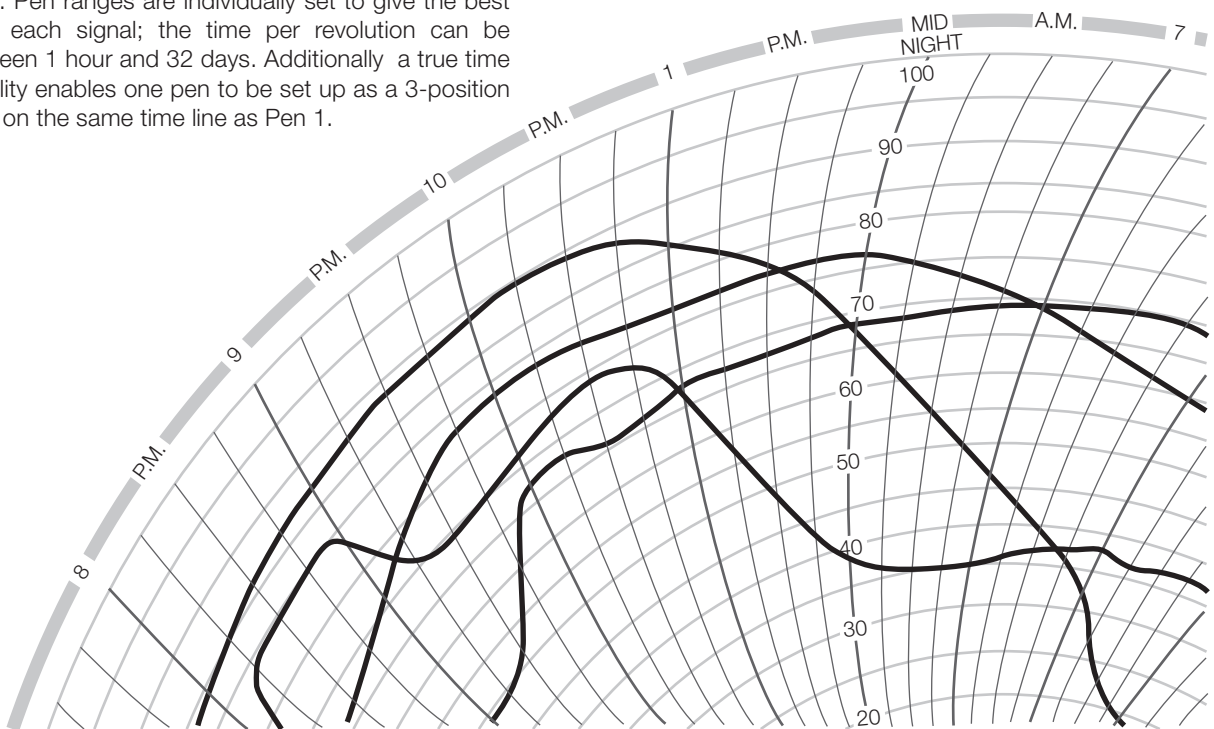
Simple Operation



The clearly-labelled tactile keypad gives direct access for operator adjustments and configuration programming, without the need to open the recorder's door. Clear text prompts on the digital displays guide the user around the various menus. A password-protected security system prevents unauthorized access to configuration adjustment menus.



The chart is easily set up to show the information you need in the way you want. Pen ranges are individually set to give the best resolution for each signal; the time per revolution can be selected between 1 hour and 32 days. Additionally a true time event pen facility enables one pen to be set up as a 3-position event marker on the same time line as Pen 1.



Flexibility to Solve Problems

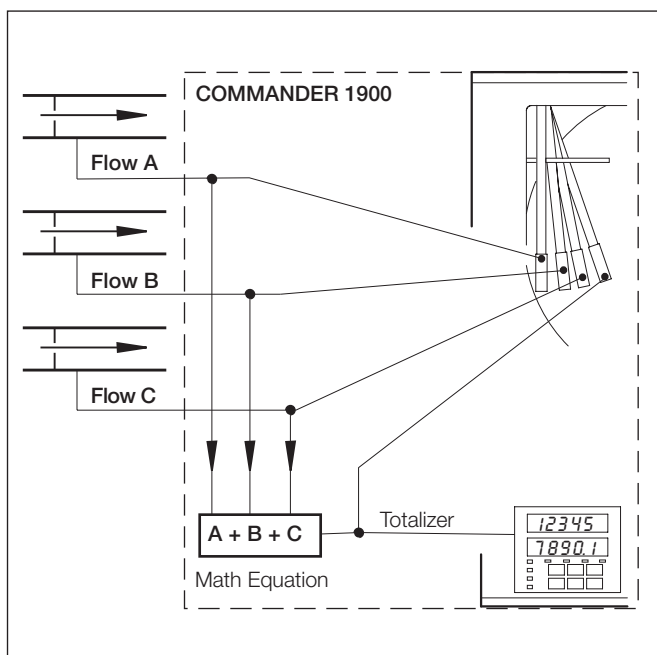
The C1900 offers seamless integration of loop functionality to solve process problems, eliminating the need for auxiliary devices.

Totalizers, Math and Logic

Integrating fluid flow to calculate total volume is performed by the built-in totalizers available for each channel. Relays can be assigned to increment or reset external counters to match the recorder's totalizer values.

User configurable math functions, mass flow calculations and RH tables are all fully supported.

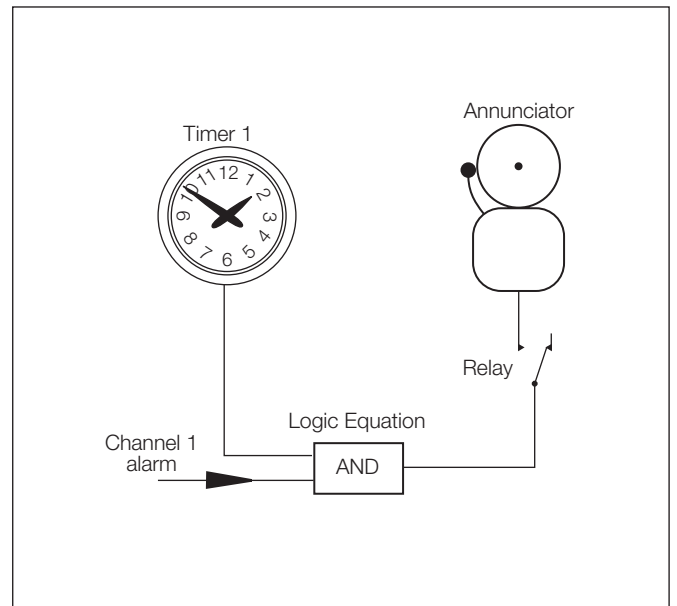
Logic capability allows interlocking and integration of discrete and continuous functions to solve a wide range of process problems.



Summation of Three Flows

Timers and Clock

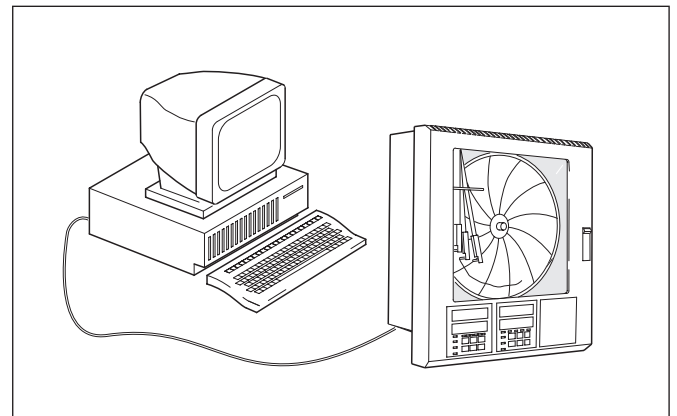
The C1900 offers two event timers driven by the recorder's real-time clock. The timers can be configured to operate relays, start/stop the chart or trigger other actions within the recorder.



Alarm annunciation enabled during night hours only.

Modbus RS485 Communications

Communications with PCs or PLCs are achieved via the RS485 serial communications link, enabling the C1900 to serve as the front end of plant-wide data acquisition systems. Using Modbus RTU protocol all process inputs and other variables can be continuously read by a host PC running any of a wide variety of standard SCADA packages.



Built to Meet Your Needs

The C1900's modular architecture gives rise to a high level of hardware choice: up to five I/O modules can be added to the basic instrument.

The standard input/output module supplied with every pen comes complete with a fully isolated analog input, a relay output, transmitter power supply, isolated analog retransmission and two digital inputs.

Further input and output capability is provided by a range of plug-in modules:

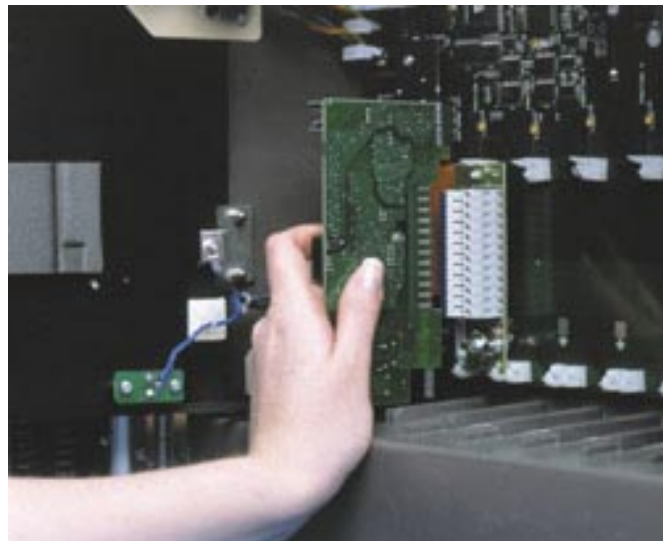
- Analog input and relay – for use with math functions
- Four relays – channel alarm outputs
- Eight digital inputs – linked using logic equations
- Eight digital outputs – TTL level alarm outputs
- Modbus RS485 communications – interfaces with PCs

Expandable for the Future

The C1900 may be quickly upgraded to meet your changing process requirements.

Additional recording channels, math capability or input and output functions can be retrofitted on-site using plug-in cards and easily fitted pen arms. Input calibration data is stored on each card, allowing quick changes to input cards without the need for recalibration.

Changes to input sensors or recording procedures are accommodated by reconfiguration using the main keypad.



Designed to Survive

NEMA 4X protection ensures the C1900 can survive in the harshest environments and makes the recorder ideal for use in panels which are regularly hosed down. The tough, acid-resistant case and secure cable-entry glands maintain the NEMA 4X rating for wall-mounted or pipe-mounted instruments.

Noise Immunity

Recording accuracy is maintained in noisy industrial environments due to the advanced EMC shielding within the recorder. The power supply has been designed to give excellent protection from power spikes and brownouts and all configuration and status information is held in nonvolatile memory to ensure rapid recovery after a power failure.

Minimal Maintenance

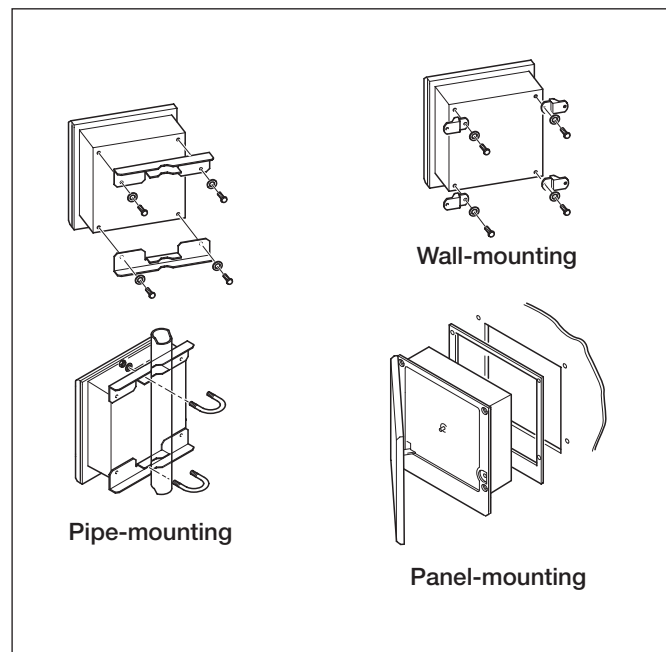
Excellent long-term stability keeps recalibration to a minimum, cutting the costs of ownership. User-selectable chart speeds and long-life pens combine to limit usage of consumables.

Built-in Quality

The C1900 is designed, manufactured and tested to the highest quality standards, including ISO 9001.

Easy to Install

A choice of mounting options enables simple installation of the recorder in a panel, on a wall or on a pipe. Detachable terminal blocks allow for trouble-free connection of input and output wiring, with mains isolation provided by a power switch within the instrument. Intégrité des données garantie



Summary

1, 2, 3 or 4 pens

10 in. chart size

Standard I/O with each pen includes:

Analog input, analog output, transmitter power supply, relay output and 2 digital inputs.

Specification

Construction

Size	15.23 in. (h) x 15.04 in. (w) x 5.57 in. (d) (386.8 x 382.0 x 141.5mm)
Weight	18lb (8.2kg)
Case material	Glassfiber-filled reinforced polyester
Window Material	Polycarbonate
Door latch	High-compression with optional lock

Environmental

Operational temperature range	0° to 55°C (32° to 130°F)
Operational humidity range	5 to 95%RH (non-condensing) 5 to 80%RH (chart only)
Case sealing	NEMA 4X (IP66)
Fast transients	IEC 801-4 Level 3

Installation

Mounting options	Panel, wall or pipe
Terminal type	Screw
Wire size (max)	14 AWG (I/O), 12 AWG (power)

Operation and Configuration

Programming method	Via front panel keys
Security	Password-protected menus

Safety

General safety	IEC348
Dielectric	500V DC (channel/channel) 2kV DC (channel/ground)
Memory protection	Nonvolatile EEPROM
Approvals	CSA UL CSA/FM Class 1 Div. 2 CE

Power Supply

Voltage	100 to 240V AC \pm 10% (90V min. to 264V max. AC), 50/60Hz
Consumption	<30 VA (typical for full spec. unit)
Line interruption	Up to 60ms

...Specification

Process Inputs and Outputs

General

Noise Rejection	Common mode >120dB at 50/60Hz Normal (series) mode >60dB at 50/60Hz
CJC rejection ratio	<0.05°C/°C
Sensor break protection	Upscale or downscale drive
Out of range detection	0 to 100% of engineering span
Temperature stability	<0.02% of reading/°C or 1µV/°C
Long-term drift	<0.01% of reading 10µV annually
Input impedance	>10 MΩ (mV and V inputs) 39 Ω (mA input)

Analog Inputs

Signal types	mV, V, mA, Ω
Thermocouple types	B, E, J, K, N, R, S, T
Resistance Thermometer	Pt 100
Other linearizations	$x^{1/2}$, $x^{3/2}$, $x^{5/2}$, linear
Sample interval	250ms per channel
Dielectric	500V DC channel/channel
Digital Filter	0 to 60s programmable

2-Wire Transmitter Power Supplies

Number	1 per channel
Voltage	24V DC nominal
Drive	Up to 25mA
Isolation	500V DC channel/channel

Analog Outputs

Type	4 to 20 mA
Accuracy	±0.1%
Maximum load	750Ω
Dielectric	500V DC

Relay Outputs

Type	SPDT
Rating (with non-inductive load)	5A at 115/230V AC

Digital Inputs

Type	TTL or volt-free
Minimum pulse	250ms
Dielectric	500V DC between modules, no isolation within module

Digital Outputs

Type	5V TTL
Rating	5mA per output
Dielectric	500V DC between modules, no isolation within module

Serial Communications

Connections	RS485, 4-wire
Protocol	Modbus RTU

Pneumatic inputs/outputs

Type	3 to 15 psig I/P, 3 to 15 psig P/I
Mounting	External DIN rail on rear of unit

Analog Input Performance

Type	Range Lo	Range Hi	Min. Span	Accuracy
mV	0	150	5	±0.1% reading or 10µV
V	0	5	0.1	±0.1% reading or 20mV
mA	0	50	1	±0.2% reading or 0.2µA
Ohms (low)	0	750	20	±0.2% reading or 0.1Ω
Ohms (high)	0	10k	400	±0.5% reading or 10Ω

Type	°C		°F		Accuracy (excl. CJC)
	Range Lo	Range Hi	Range Lo	Range Hi	
B	-18	1800	0	3270	±2.0°C (above 200°C)
E	-100	900	-140	1650	±0.5°C
J	-100	900	-140	1650	±0.5°C
K	-100	1300	-140	2350	±0.5°C
N	-200	1300	-325	2350	±0.5°C
R	-18	1700	0	3000	±1.0°C (above 300°)
S	-18	1700	0	3000	±1.0°C (above 200°C)
T	-250	300	-400	550	±0.5°C
PT100	-200	600	-325	1100	±0.5°C

Recording System

Pens

Number	1, 2, 3, or 4 (red, blue, green, black)
Response	7 seconds (full scale)
Resolution	0.1% steps
Pen lift	Motor-driven, with optional autodrop

Event Pens

Standard	3-position event recording on any channel
Real time	3-position event recording on the same time line as Pen 1

Chart

Chart size	10 in. or 105mm
Chart speed	1 to 167 hours or 7 to 32 days per revolution

Display and Operator Panels

Displays

Number	2 (1 or 2 pens) or 4 (3 or 4 pens)
Type	6-digit red LED, 0.56 in. (14mm) high
Status indicators	Indicate channel number on display
Alarm indicators	Indicate channel with active alarms

Panel keys

Function	Programming access, increment/decrement, pen lift and user-defined function key
----------	---

Alarms and Logic

Alarms

Number	4 per channel
Type	High/low process, fast/slow rate of change, time delay
Adjustments	Hysteresis, time delay

Logic Equations

Number	4
Function	OR, AND
Inputs	Alarm states, digital inputs, totalizers, logic
Outputs	Relays, digital outputs, chart stop, alarm acknowledge

***Option Module Types**

Option Module Types	I/O per module							Max. No. per instrument
	Analog I/P	Analog O/P	Trans. PSU	Relays	Digital I/P	Digital O/P	Comms.	
Standard I/O	1	1	1	1	2			3
Analog I/P + relay	1			1				5
4 relays				4				2
8 digital I/P					8			3
8 digital O/P						8		3
RS485 comms.							1	1
1901J (non-upgradeable)	1							

Advanced Software Functions

Totalizers

Number	1 per pen
Size	99,999,999 max.
Output	External counter driver, "wrap" pulse signal

Math

Number of equations	4
Type	+, -, x, ÷, low & high select, max., min., average, mass flow, RH

Timers

Number	2
Type	Real-time clock driven event, adjustable duration
Output	Relay, digital output, logic equation

Option Module*

Number	5 plus 1 x standard input/output module
Connection	Plug-in cards with detachable connection blocks

EMC

Design & Manufacturing Standards

CSA General Safety	Approved
UL General Safety	Approved
CSA/FM Class 1 Div. 2	Approved

Emissions and Immunity

Meets requirements of:
EN 50081-2
EN 50082-2
IEC 61326 for an Industrial Environment
CE Mark

Ordering Information

PART 1

COMMANDER 1900 Recorder		19XX	X	X	X	X	X	X	X	X	X	X	X	X	XXX
Recorders *	One Pen (Red)	11													
	Two Pens (Red & Green)	12													
	Three Pens (Red, Green, Blue)	13													
	Four Pens (Red, Green, Blue, Black)	14													
Chart Type	Standard		J												
	KPC 105 PX and PXR type charts		K												
	Chessell Brand charts		C												
Electrical Code	Standard			A											
	CSA approval			B											
	UL approval			U											
	CSA/FM Class 1 Div. 2			F											
Option Module	None				0										
	Additional Modules – Complete PART 2				A										
Options	None					0									
	Totalizer					3									
	Totalizer, Math & Timer					B									
Door Lock	Not Fitted														
	Fitted														
Power Supply	115V AC														
	230V AC														
	115V AC with On/Off Switch														
	230V AC with On/Off Switch														
Special Settings	Company Standard														STD
	Customer Setting														CUS
	Special														SXX

* Each pen fitted has an associated standard Input/Output module comprising Analog Input, Analog Output, Relay, Transmitter Power Supply and Two Digital Inputs.
 Additional Input/Output modules may be fitted in the unused Module Positions as required.
 These additional modules should be specified in PART 2 of the Ordering Information.

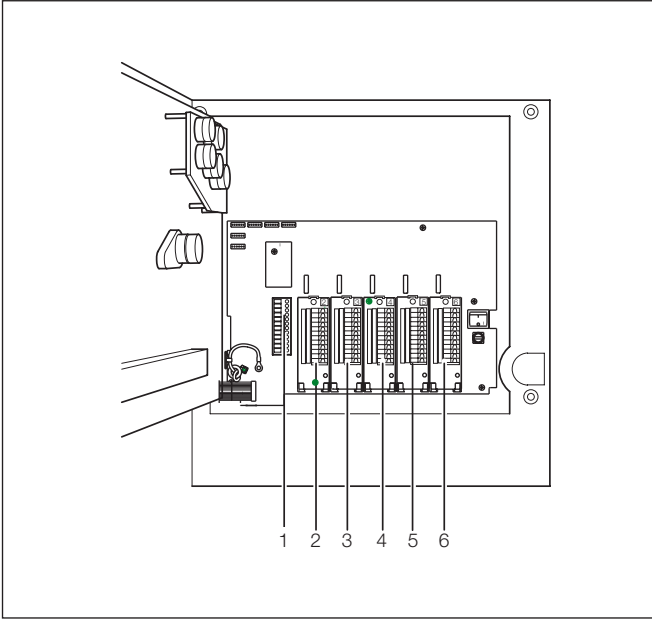
PART 2 – Additional Modules

	Module Type							
Module Position 2 / Channel 2 Input*	0	1	2					
Module Position 3 / Channel 3 Input*	0	1	2					
Module Position 4 / Channel 4 Input *	0	1	2	3	4	5	6	
Module Position 5	0	1	2	3	4	5		
Module Position 6	0	2	4	5	8			

Accessories

Case-to-panel gasket	C1900/0149
Wall-mount kit	C1900/1712
Pipe-mount kit	C1900/0712
Pack of Red Pens	C1900/0121
Pack of Green Pens	C1900/0122
Pack of Blue Pens	C1900/0120
Pack of Black Pens	C1900/0119
Pack of Purple Pens	C1900/0123

...Ordering Information



Power Supply Connections

Key to Module Types

0 No module fitted / Pen input channel *

1 Standard Input/Output

2 Analog Input (Math Input) + Relay

3 Four Relays

4 Eight Digital Inputs

5 Eight Digital Outputs

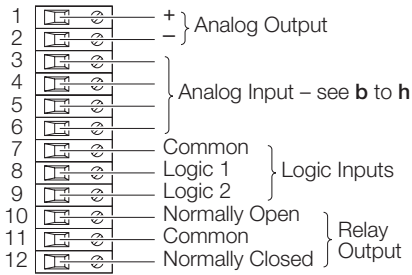
6 True Time Event Pen (Violet)

8 Modbus RS485 Communications

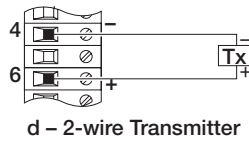
* On 2, 3 or 4 pen instruments a standard I/O module is always fitted in the corresponding module position (enter '0' in the corresponding order code field).

Example 1 9 1 3 J A A 0 1 1 0 0 3 0 8 STD
 3 pen —————
 4 relays —————
 Modbus RS485 Communications —————

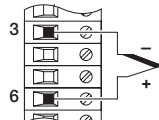
Electrical Connections



Summary of Connections



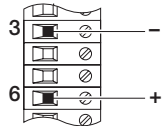
d – 2-wire Transmitter



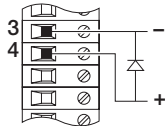
e – Thermocouple



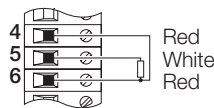
g – Low Voltage (mV)



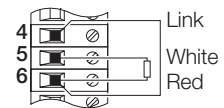
b – Voltage



c – Current
(non 2-wire Transmitters)

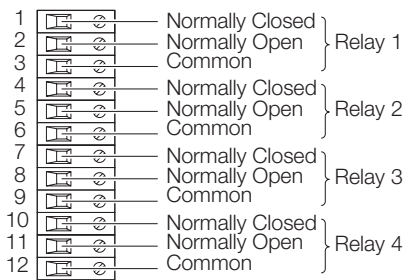


f – 3-wire RTD

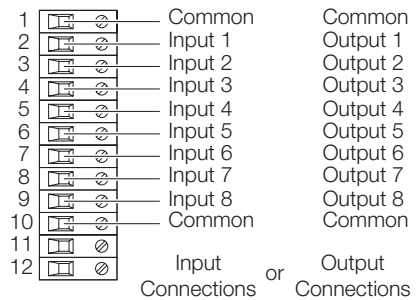


h – 2-wire RTD and Resistance

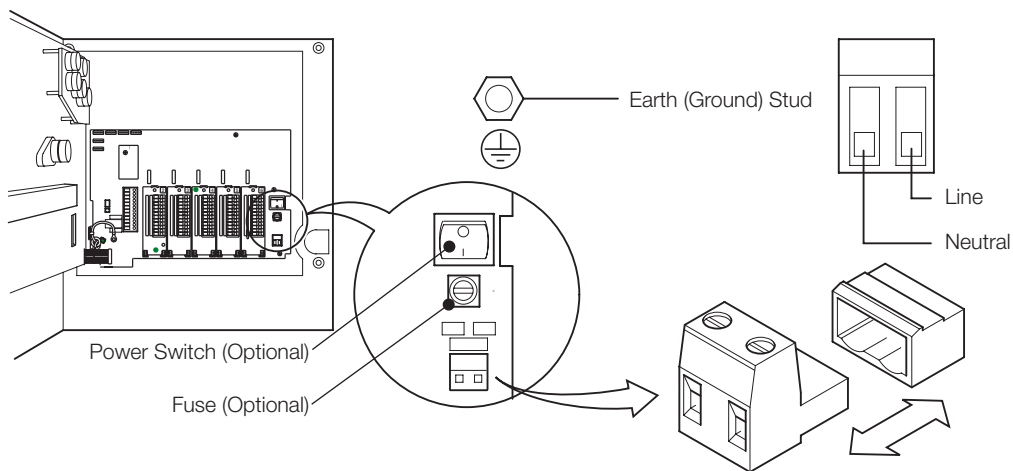
Standard Input/Output Modules



Four-Relay Output Module

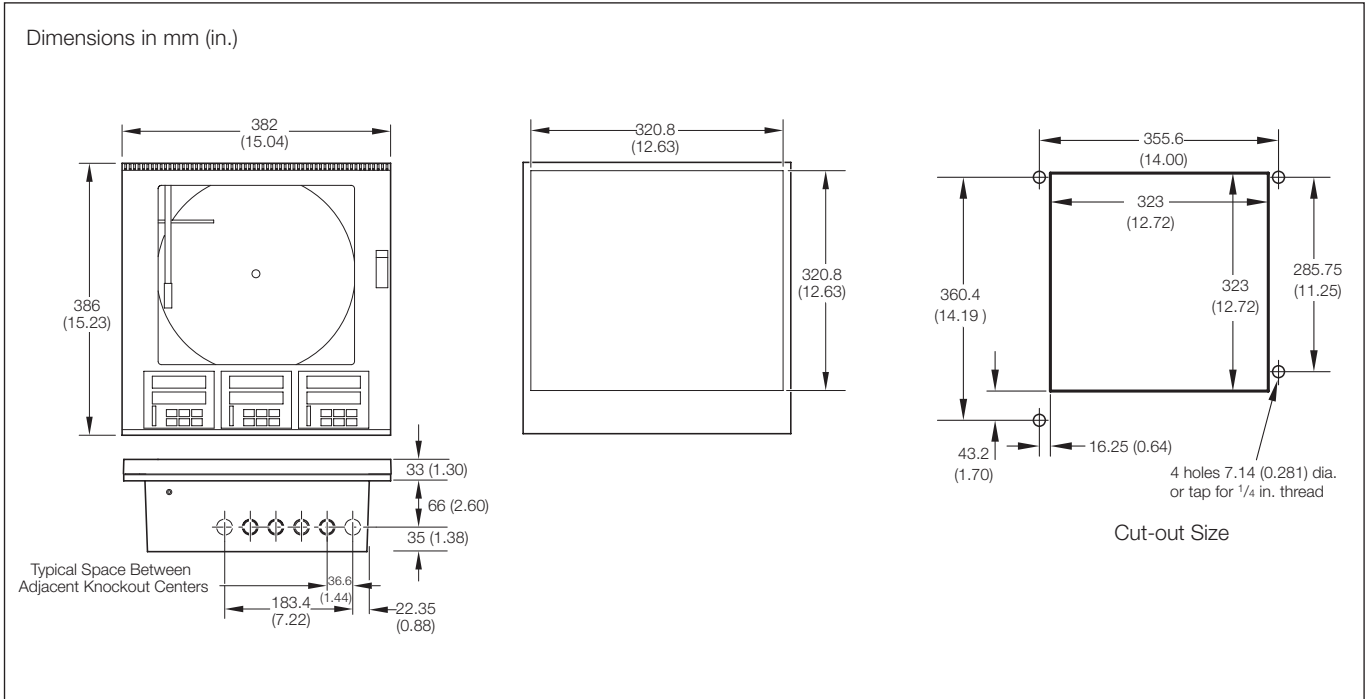


Digital Input/Output Module



Power Supply Connections

Overall Dimensions



Licensing, Trademarks and Copyrights

Modbus™ is a trademark of Modicon Inc.

ABB has Sales & Customer Support
expertise in over 100 countries worldwide

www.abb.com

The Company's policy is one of continuous product
improvement and the right is reserved to modify the
information contained herein without notice.

Printed in UK (07.05)

© ABB 2005



ABB Limited

Howard Road, St Neots
Cambridgeshire
PE19 8EU
UK
Tel: +44 (0)1480 475321
Fax: +44 (0)1480 217948

ABB Inc.

125 E. County Line Road
Warminster
PA 18974
USA
Tel: +1 215 674 6000
Fax: +1 215 674 7183