

UBC2010 Block Calibrator

A small Block Calibrator with interchangeable inserts to fit probes from 19.5mm to 3.2mm.

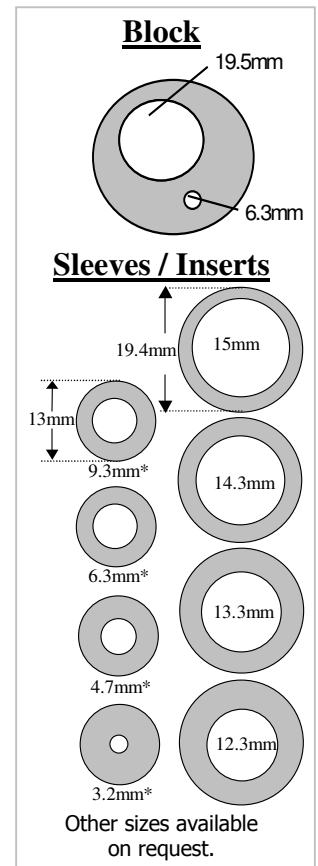


The UBC2010 Block Calibrator uses interchangeable sleeve inserts to fit the widest range of popular temperature sensor probe and thermostat diameters. The main pocket is 19.5mm in diameter and is available with a range of sleeves to fit various large diameter probes. Supplied sleeve sizes are 15mm, 14.3mm, 13.3mm and 12.3mm. The convenient size of the UBC2010 means true portability. Because the UBC2010's block is fan assisted, it heats, cools and stabilises in minutes - much quicker than its competitors. It also features a test circuit and buzzer for accurately checking thermostat switching temperatures.

Its low cost, accuracy and uniformity of better than 1 °C make it at home in the factory, quarry or commercial premises that requires setting or validation of temperature equipment.

Specifications

Range:-	35°C to 400°C (95°F to 752°F)
Accuracy:- (At full immersion)	35°C to 100°C ± 0.5°C (95°F to 212°F ± 0.9°F) 101°C to 400°C ± 0.85°C (213°F to 752°F ± 1.53°F)
Block Pocket-to-Pocket Uniformity: (At full immersion, 6.3mm to 12.3mm)	35°C to 150°C ± 0.75°C (95°F to 302°F ± 1.35°F) 151°C to 400°C ± 1°C (303°F to 752°F ± 1.8°F)
Stability:-	35°C to 200°C ± 0.20°C (95°F to 392°F ± 0.36°F) 201°C to 400°C ± 0.35°C (393 to 752°F ± 0.63°F)
Heating Time:-	35°C to 350°C (95°F to 662°F) 12 minutes
Cooling Time:-	300°C to 100°C (572°F to 212°) 14 minutes
Block Depth:-	150mm (6")
Body Size:- (WxHxD)	210mm x 105mm x 285mm (340mm including handle) 8.27" x 4.13" x 11.22" (13.39" including handle)
Weight:-	3.5kg (7.7lbs) (Without sleeves)
Power:	240Vac ±15% 2.2A or 110Vac ±15% 4.1A, UK Plug†
Certification:-	UKAS Thermal Survey optional at extra cost.
Sleeves/Inserts:	4 included as standard: 15mm, 14.3mm, 13.3mm, 12.3mm
Carry Case:-	Foam lined aluminium flight case included as standard. Size: 460 x 350 x 160mm (WxDxH)



Ordering Codes

Voltage†	Temperature Scale	Examples:
240	C	240V Supply, °C Scale = UBC2010/240/C
110	F	110V Supply, °F Scale = UBC2010/110/F

Price: £1350.00
+ VAT & delivery

* 9.3mm, 6.3mm, 4.7mm and 3.2mm sleeves are 100mm in length, fit into the 13.3mm ID sleeve and are optional at extra cost.

† Other types are available, there may be an additional charge.